

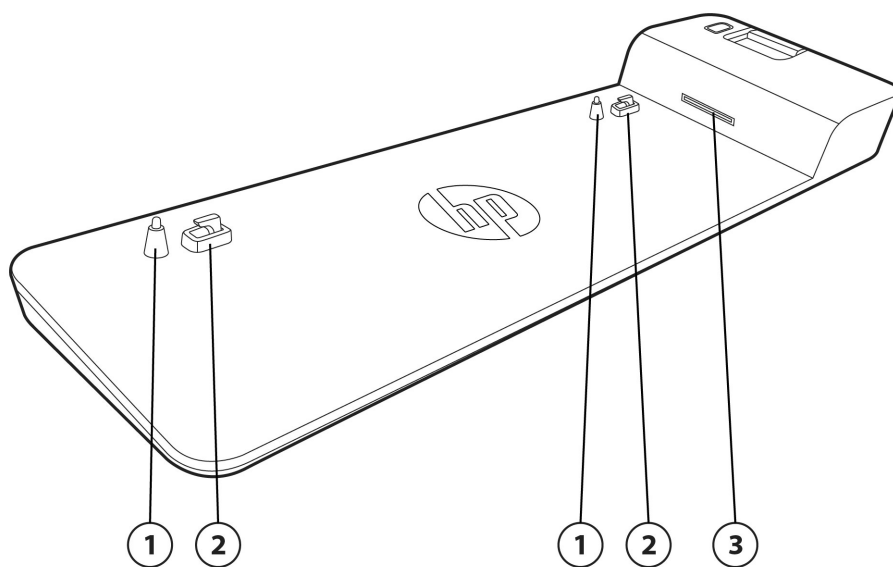
### Overview

### Models

2013 HP UltraSlim Docking Station *New!*  
HP UltraSlim Docking Station  
HP 2570p Docking Station  
HP 2740 Ultra-Slim Expansion Base

D9Y32AA  
B9C87AA  
A9B77AA  
WA995AA

### 2013 HP UltraSlim Docking Station – Front side

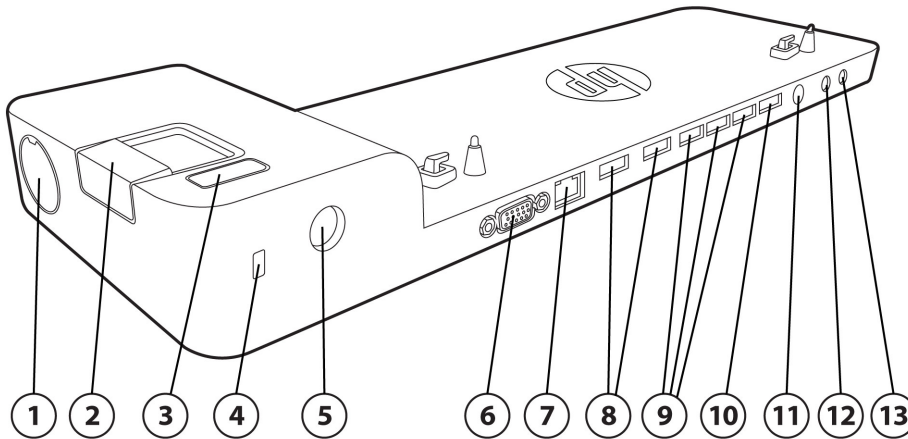


1. Docking posts
2. Locking mechanism (lock not included)

3. Side docking connector

### Overview

#### 2013 HP UltraSlim Docking Station – Rear side



- |  |                               |
|--|-------------------------------|
| 1. Docking station cable lock slot (lock not included) | 8. DisplayPort 1.2            |
| 2. Connection button                                   | 9. USB 3.0 ports (3)          |
| 3. Connect light                                       | 10. USB 3.0 charging port (1) |
| 4. Lock slot (lock not included)                       | 11. Power connector           |
| 5. Docking station cable lock slot (lock not included) | 12. Line in jack              |
| 6. VGA port  | 13. Line out jack             |
| 7. LAN/Ethernet port                                   |                               |

### Overview

### 2013 HP UltraSlim Docking Station - D9Y32AA#XX

#### Front Components

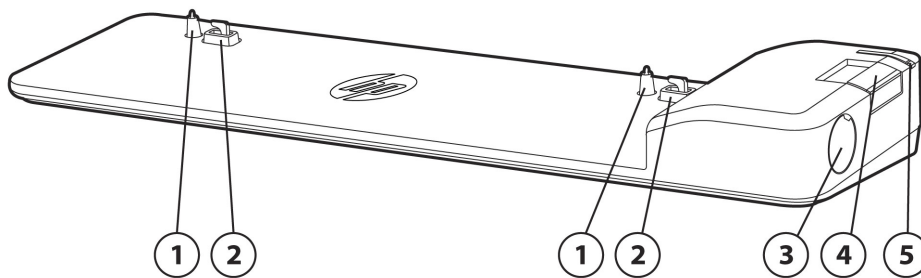
<b>Docking posts (2)</b>	Align and secure the computer for proper connection to the docking station
<b>Computer connect/ release mechanisms (2)</b>	Connect and release the computer when you press the connect button
<b>Docking connector</b>	Docking connector for notebook
<b>Connect button</b>	Secures and releases the computer Slide in to secure the computer Slide out to release the computer
<b>LEDs</b>	AC present: aqua white; Dock connected: white; two RJ45 LEDs: amber/green

#### Rear Components

<b>AC power port</b>	Energy-efficient 65W Smart AC adapter features integrated surge protection to help against power fluctuations.
<b>Integrated cable lock slot</b>	Supports the HP Docking Station Cable Lock with a simplified locking mechanism. Gives you two security options: lock the docking station only (which also prevents access to the Station drive bay); or lock both the docking station and your notebook for additional security. Also supports an industry standard notebook lock.
<b>Network connectors</b>	RJ-45 / Ethernet pass thru
<b>USB ports</b>	3 USB 3.0 ports, 1 USB 3.0 charging port
<b>Audio connectors</b>	Line-In; Line-Out
<b>Other connectors</b>	VGA, DisplayPort 1.1a (DP 1.2 capable)

**NOTE:** Your computer, docking station, and monitor must all support USB 3.0 and DisplayPort 1.2 to benefit from the advanced speeds or features that these technologies provide. If one of the devices does not support these technologies, you will still have USB 2.0 and DisplayPort 1.1 functionality.

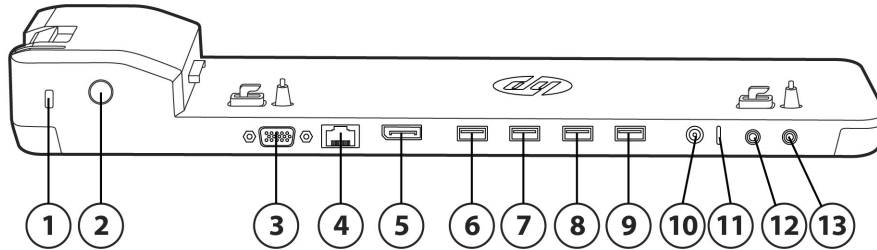
#### HP UltraSlim Docking Station – Front side



1. Docking posts
2. Locking mechanism (lock not included)
3. HP Dock Station Cable Lock slot (Lock not included)
4. Connect button
5. Connect light

### Overview

#### HP UltraSlim Docking Station – Rear side



- |  |  |
|--|--|
| 1. Lock slot (lock not included)                       | 8. USB 3.0 port  |
| 2. HP Dock Station Cable Lock slot (Lock not included) | 9. Powered USB 3.0 port                                    |
| 3. VGA port  | 10. Power connector  |
| 4. LAN/Ethernet jack                                   | 11. Power in LED (indicates docking station is plugged in) |
| 5. DisplayPort 1.1a (1.2 capable)                      | 12. Line in jack   |
| 6. USB 3.0 port  | 13. Line out jack  |
| 7. USB 3.0 port  |  |

## HP UltraSlim Docking Station

### Front Components

<b>Docking posts (2)</b>	Align and secure the computer for proper connection to the docking station
<b>Computer connect/ release mechanisms (2)</b>	Connect and release the computer when you press the connect button
<b>Docking connector</b>	Docking connector for notebook
<b>Connect button</b>	Secures and releases the computer Slide in to secure the computer Slide out to release the computer
<b>LEDs</b>	AC present: aqua white; Dock connected: white; two RJ45 LEDs: amber/green

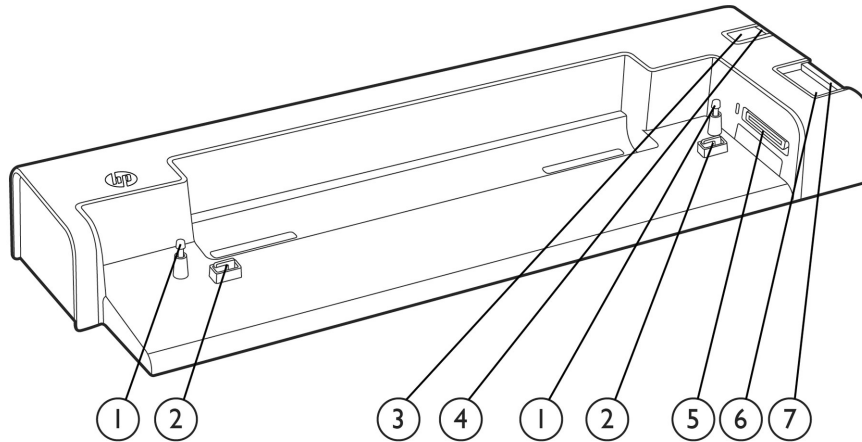
### Rear Components

<b>AC power port</b>	Energy-efficient 65W Smart AC adapter features integrated surge protection to help against power fluctuations.
<b>Integrated cable lock slot</b>	Supports the HP Docking Station Cable Lock with a simplified locking mechanism. Gives you two security options: lock the docking station only (which also prevents access to the Station drive bay); or lock both the docking station and your notebook for additional security. Also supports an industry standard notebook lock.
<b>Network connectors</b>	RJ-45 / Ethernet pass thru
<b>USB ports</b>	3 USB 3.0 ports, 1 USB 3.0 charging port
<b>Audio connectors</b>	Line-In; Line-Out
<b>Other connectors</b>	VGA, DisplayPort 1.1a (DP 1.2 capable)

**NOTE:** Your computer, docking station, and monitor must all support USB 3.0 and DisplayPort 1.2 to benefit from the advanced speeds or features that these technologies provide. If one of the devices does not support these technologies, you will still have USB 2.0 and DisplayPort 1.1 functionality.

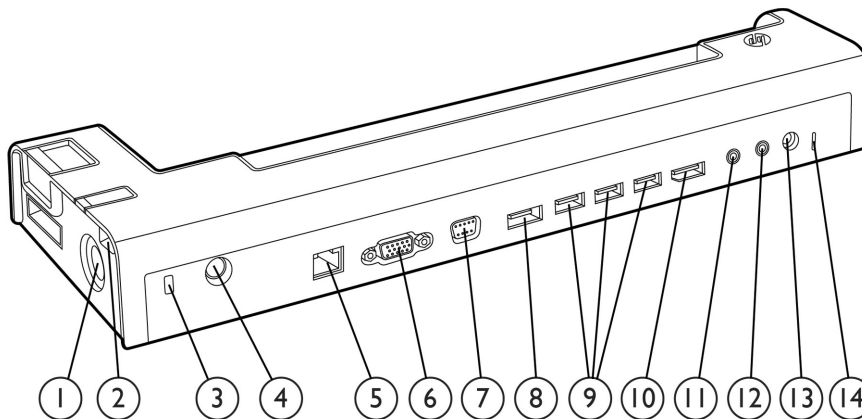
### Overview

#### HP 2570p Docking Station



- |  |                      |
|--|----------------------|
| 1. Docking posts                       | 5. Docking connector |
| 2. Computer connect/release mechanisms | 6. Connect button    |
| 3. Power button                        | 7. Connect light     |
| 4. Computer power light                |                      |

#### HP 2570p Docking Station Rear/Right Side



- |                                |  |
|--------------------------------|--|
| 1. HP Lock (Lock not included) | 8. eSATA port  |
| 2. Powered USB 2.0 port        | 9. USB 3.0 ports (3)                                       |
| 3. Security lock slot          | 10. DisplayPort 1.2  |
| 4. HP Lock slot                | 11. Audio-in jack  |
| 5. LAN/Ethernet jack           | 12. Audio-out jack   |
| 6. VGA port                    | 13. Power connector  |
| 7. Monitor stand port          | 14. Power in LED (indicates docking station is plugged in) |

### Overview

---

## HP 2570p Docking Station

### Front Components

<b>Docking posts (2)</b>	Align and secure the computer for proper connection to the docking station
<b>Computer connect/ release mechanisms (2)</b>	Connect and release the computer when you press the connect button
<b>Power button</b>	Turns on the power to the computer
<b>Computer power light</b>	Light on: docked computer is turned on Light blinking: docked computer is in standby mode
<b>Docking connector</b>	Connects the computer to the docking station
<b>Connect button</b>	Secures and releases the computer Slide in to secure the computer Slide out to release the computer
<b>Connect light</b>	On: a computer is fully docked

### Rear/Right-Side Components

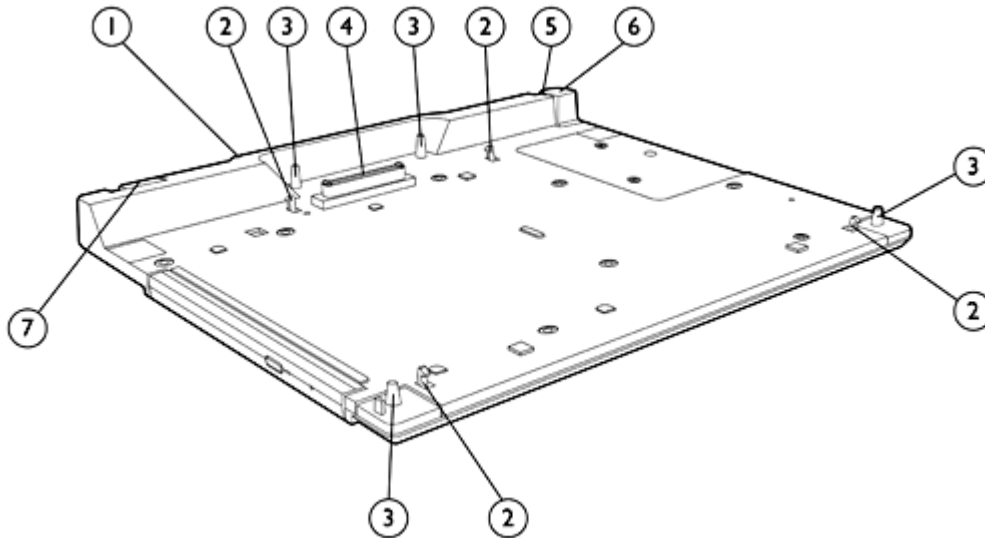
<b>AC power port</b>	Energy-efficient 65W Smart AC adapter features integrated surge protection to help against power fluctuations.
<b>Powered USB 2.0 port</b>	One; allows you to connect to select USB devices
<b>USB 3.0 ports</b>	Three, allow you to connect to standard USB devices.
<b>Integrated cable lock slot</b>	Supports the HP Docking Station Cable Lock with a simplified locking mechanism. Gives you two security options: lock the docking station only (which also prevents access to the Station drive bay); or lock both the docking station and your notebook for additional security. Also supports an industry standard notebook lock.
<b>Network connectors</b>	Ethernet ports
<b>USB ports</b>	3 USB 3.0 ports, 1 powered USB 2.0 port
<b>Audio connectors</b>	Audio in, audio out (does not support mic out)
<b>Other connectors</b>	Monitor stand power, VGA, DisplayPort 1.2, eSATA

**NOTE:** Your computer, docking station, and monitor must all support USB 3.0 and DisplayPort 1.2 to benefit from the advanced speeds or features that these technologies provide. If one of the devices does not support these technologies, you will still have USB 2.0 and DisplayPort 1.1 functionality.

---

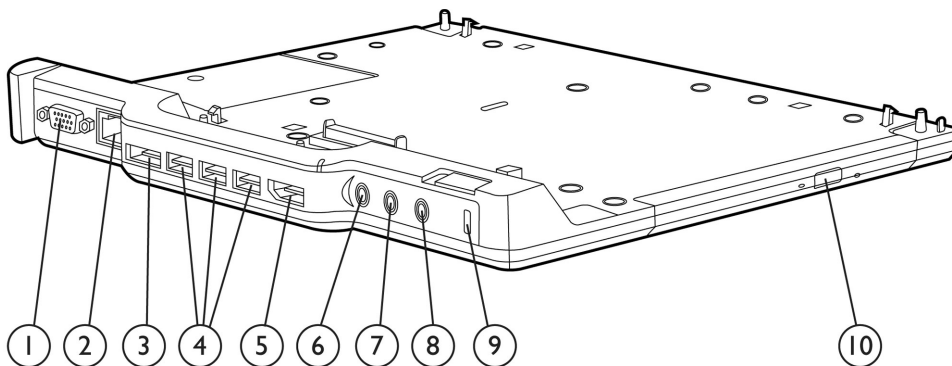
### Overview

#### HP 2740 Ultra-Slim Expansion Base



- |  |                                |
|--|--------------------------------|
| 1. AC power connect light              | 5. Connection light            |
| 2. Computer connect/release mechanisms | 6. Connection latch            |
| 3. Docking posts                       | 7. Cable lock selection slider |
| 4. Docking connector                   |                                |

#### HP 2740 Ultra-Slim Expansion Base Rear/Right Side



- |                      |                       |
|----------------------|-----------------------|
| 1. VGA port          | 6. Audio-in jack      |
| 2. LAN/Ethernet port | 7. Audio-out jack     |
| 3. eSATA port        | 8. Power connector    |
| 4. USB 2.0 ports (3) | 9. Notebook lock slot |
| 5. DisplayPort 1.1   | 10. Optical drive     |

### Overview

#### HP 2740 Ultra-Slim Expansion Base

##### Top Components

<b>Docking posts (2)</b>	Align and secure the computer for proper connection to the docking station
<b>Computer connect/ release mechanisms (2)</b>	Connect and release the computer when you press the connect button
<b>Docking connector</b>	Docking connector for notebook or travel battery
<b>Connect button</b>	Secures and releases the computer Slide in to secure the computer Slide out to release the computer
<b>LEDs</b>	AC present: aqua white; Dock connected: blue; two RJ45 LEDs: amber/green

##### Rear/Right-Side Components

<b>AC power port</b>	Energy-efficient 65W Smart AC adapter features integrated surge protection to help against power fluctuations.
<b>Optical drive</b>	9.5mm PATA DVD +/-RW Optical drive
<b>Integrated cable lock slot</b>	Supports the HP Docking Station Cable Lock with a simplified locking mechanism. Gives you two security options: lock the docking station only (which also prevents access to the Station drive bay); or lock both the docking station and your notebook for additional security. Also supports an industry standard notebook lock.
<b>Network connectors</b>	RJ-45 / Ethernet pass thru
<b>USB ports</b>	3 USB 2.0 ports
<b>Audio connectors</b>	Headphone output (stereo); microphone input (stereo)
<b>Other connectors</b>	VGA, DisplayPort 1.1, eSATA



### Technical Specifications

	2013 HP UltraSlim Docking Station	HP UltraSlim Docking Station
<b>Dimensions</b> (H x W x D)	1.7 x 14.5 x 4.2 in (4.4 x 36.8x 10.7 cm)	1.7 x 14.5 x 4.2 in (4.4 x 36.8x 10.7 cm)
<b>Weight</b>	1.69 lb (0.76 kg)	1.69 lb (0.76 kg)
<b>Stand-alone power requirements</b>		
Normal Operating Voltage		18.5 V
Average Operating Power		18.5 W
Max Operating Power		< 65 W
<b>Temperature</b>		
Operating		32° to 95° F (0° to 35° C)
Non-operating		4° to 140° F (-20° to 60° C)
<b>Relative humidity</b>		
Operating		10% to 90%, non-condensing
Non-operating		5% to 95%, 101.6° F (38.7° C) maximum wet bulb temperature
<b>Altitude</b>		
Operating		-50 to 10,000 ft (-15.24 to 3,048 m)
Non-operating		-50 to 40,000 ft (-15.24 to 12,192 m)
<b>Shock</b>		
Operating		125 G, 2 ms, half-sine
Non-operating		200 G, 2 ms, half-sine
<b>Random vibration</b>		
Operating		0.75 grms
Non-operating		1.50 grms
<b>Option Kit Contents</b>	2013 HP UltraSlim Docking Station, AC power adapter, documentation	HP UltraSlim Docking Station AC power adapter, documentation

	HP 2570p Docking Station	HP 2740 Ultra-Slim Expansion Base
<b>Dimensions</b> (H x W x D)	2.0 x 14.1 x 4.8 in (5.1 x 35.9 x 12.1 cm)	0.5 x 9.06 x 10.5 in (1.27 x 2.3 x 2.69 cm)
<b>Weight</b>	2.04 lb (0.93 kg)	1.73 lb (0.79kg)
<b>Stand-alone power requirements</b>		
Normal Operating Voltage		18.5 V
Average Operating Power		18.5 W
Max Operating Power		< 65 W
<b>Temperature</b>		
Operating		32° to 95° F (0° to 35° C)
Non-operating		4° to 140° F (-20° to 60° C)
<b>Relative humidity</b>		
Operating		10% to 90%, non-condensing
Non-operating		5% to 95%, 101.6° F (38.7° C) maximum wet bulb temperature

### Technical Specifications

#### Altitude

Operating	-50 to 10,000 ft (-15.24 to 3,048 m)
Non-operating	-50 to 40,000 ft (-15.24 to 12,192 m)

#### Shock

Operating	125 G, 2 ms, half-sine
Non-operating	200 G, 2 ms, half-sine

#### Random vibration

Operating	0.75 grms
Non-operating	1.50 grms

#### Option Kit Contents

HP 2570p Docking Station, AC power adapter, documentation	HP 2740 Ultra-Slim Expansion Base, AC power adapter, documentation
---	--

### Compatibility

HP Ultra-light Docking Stations are compatible with HP EliteBook Notebook and Tablet PCs as follows:

#### Docking Station

2013 HP UltraSlim Docking Station  
HP UltraSlim Docking Station  
HP 2570p Docking Station  
HP 2740 Ultra-Slim Expansion Base

#### Compatible Notebooks

HP EliteBook Folio 9470m Notebook PC  
HP EliteBook 2540p, 2560p, and 2570p Notebook PC<sup>1</sup>  
HP EliteBook 2740p and 2760p Tablet PC

**NOTE:** Your computer, docking station, and monitor must all support USB 3.0 and DisplayPort 1.2 to benefit from the advanced speeds or features that these technologies provide. If one of the devices does not support these technologies, you will still have USB 2.0 and DisplayPort 1.1 functionality.

### Service and Support

HP Ultra-light Docking Stations are supported by a one-year limited warranty. Additional support is available 24 hours a day, seven days a week by phone as well as online support forums.

**NOTE:** Certain restrictions and exclusions apply. Consult the HP Customer Support Center for details.

<sup>1</sup> The combination of the HP EliteBook 2540p Notebook PC with the HP 2570p Docking Station may result in a limited functionality of some of the docking station's connectors.

© Copyright 2013 Hewlett-Packard Development Company, L.P.

The information contained herein is subject to change without notice. The only warranties for HP products and services are set forth in the express warranty statements accompanying such products and services. Nothing herein should be construed as constituting an additional warranty. HP shall not be liable for technical or editorial errors or omissions contained herein.